



**SURESHOT™**

**LASER LEVEL TRANSMITTER**

**Model SureShot™XP**

**FEATURES**

- Range 50 ft. / 15 m.
- No Beam Divergence = No False Echoes
- Measures Any Surface at Any Angle
- Explosion Proof Enclosure
- No Special Configuration Software Required
- No Calibration Required
- 1/8" NPT Air Purge Port
- On Board Help Menu

**OPTIONS**

- Mounting Flange
- Hand Held Programmer (PDA)
- Adapter Flange
- Dust Tube



SureShot™XP



SureShot™XP shown with optional Dust Tube

**SPECIFICATIONS**

**Measurement Range**

Range	1 to 50 ft. / 0.3 to 15 m.
Resolution	0.6 in. / 1.5. cm
Accuracy	± 1.2 in. / ± 3.0 cm.
Update Rate	1 reading / second to 1 reading / 250 seconds

**Output**

Analog	4-20 mA, Self-Powered NAMUR Compliant
Serial	RS232 for Testing, Troubleshooting, and Configuration

**Electrical Power**

24 VDC (16 to 32 V)

**Power Consumption**

Start Up	300 mA at 24 VDC
Running Normal	100 mA at 24 VDC

**Laser Safety**

Class 1 Eye Safe, ANSI 136.1 - 1986  
BSI BS7 197:1989

**Approvals**

IEC Ex d IIB + H2T4  
**Factory Mutual Research Corporation**



XP / I / 1 / ABCD / T6    Ta = 65C  
 I / 1 / AEx d IIC / T6    Ta = 65C  
 DIP / II , III / 1 / EFG / T6    Ta = 65C  
 Type 4X

**Optical**

Optical Aperture	2.4 in. / 60 mm
Laser Beam Diameter	0.4 in. / 10 mm
Receiver Beam Diameter	2 in. / 50 mm
Beam Divergence	<0.2°

**Environmental**

Operating Temperature	-40° to 150°F / -40° to 65°C
Pressure	Atmospheric

**Electrical Connection**

1/2" FNPT

**Dimensions**

Diameter	4.2 in. / 105.5 mm
Length	7.2 in. / 184 mm
Weight	5.5 lbs. / 2.5 kg. (Aluminum Enclosure) 13.4 lbs. / 6.0 kg. (SS Enclosure)

**Enclosure**

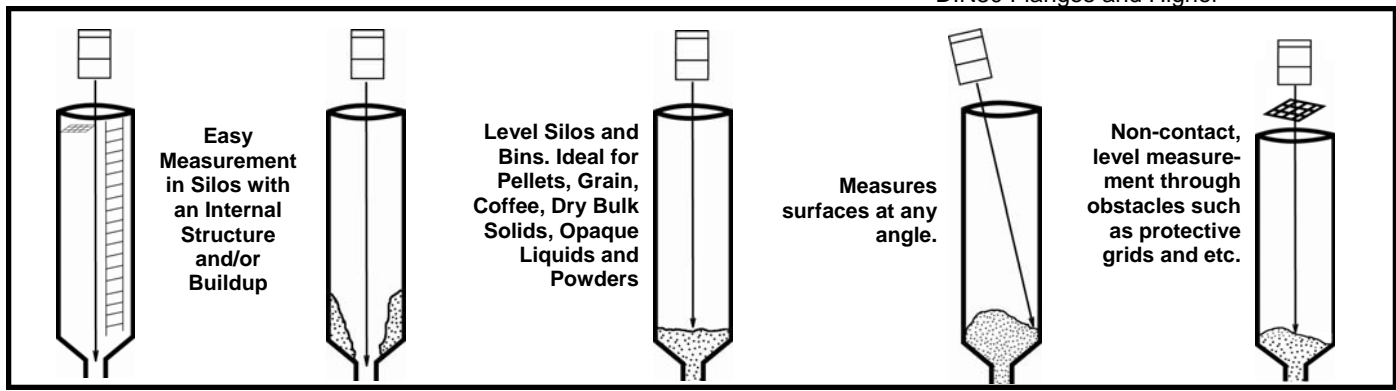
Dual Compart. Powder Coated Aluminum  
- or -  
Dual Compartment Stainless Steel

**Enclosure Rating**

IP67 / NEMA4X

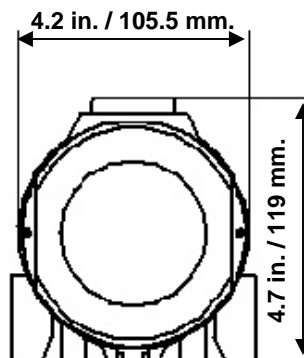
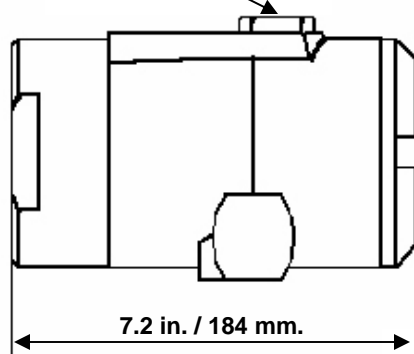
**Process Connection**

Adaptable to ANSI 3" /  
DIN80 Flanges and Higher

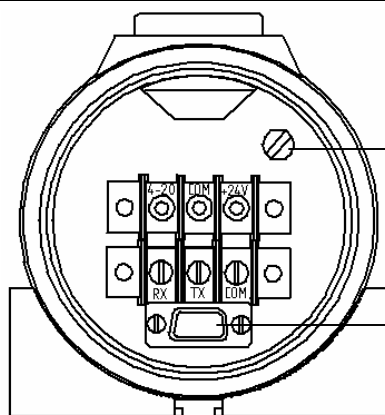


## DIMENSIONS

CABLE ENTRY THREAD  
1/2" NTP



## TERMINAL CONNECTIONS




EARTH SCREW  
(Size 8/32 x 1/4)

RS232 (COMMS)  
PORT

### FLANGE ADAPTER TABLE

ANSI	DIN
FLGSS50XP/SS4/3"	FLGSS50XP/SS4/DIN80
FLGSS50XP/SS6/3"	FLGSS50XP/SS6/DIN80
FLGSS50XP/SS4/4"	FLGSS50XP/SS4/DIN100
FLGSS50XP/SS6/4"	FLGSS50XP/SS6/DIN100
FLGSS50XP/SS4/6"	FLGSS50XP/SS4/DIN125
FLGSS50XP/SS6/6"	FLGSS50XPSS6/DIN125

### AVAILABLE OPTIONAL ITEMS:

<b>TUB5S</b>	Dust Tube: 316L Stainless Steel, 2 7/8" Dust Tube Connection
<b>FLG</b>	Specify from adapter flange table
<b>PDA</b>	PDA with PALM OS Software: Communication Software and Communication Cable 
<b>ADP</b>	Adapter Flange— 316L Stainless Steel ADP is always required for flange connection.